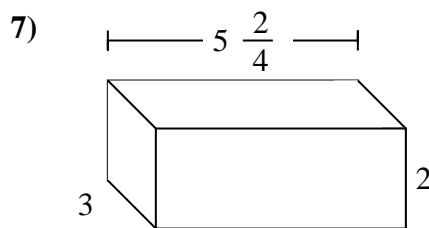
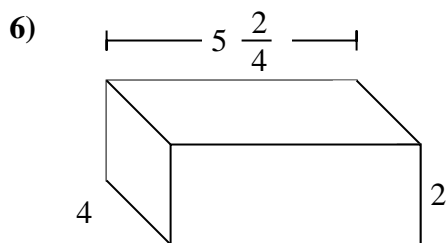
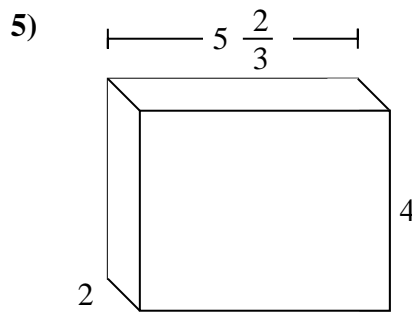
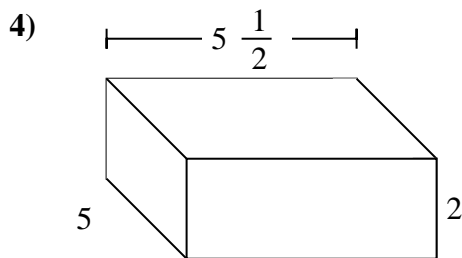
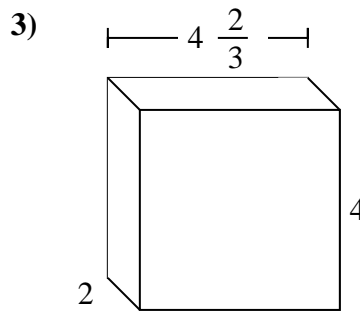
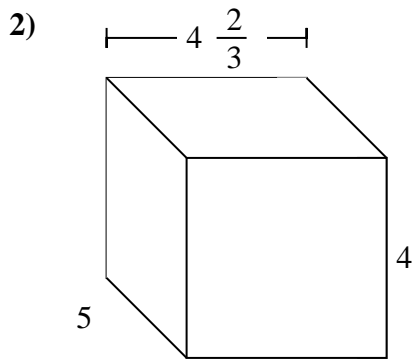
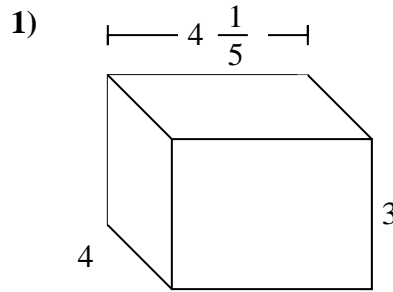
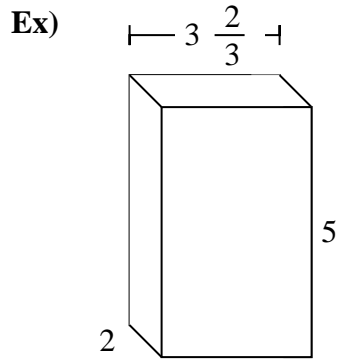




Fill each rectangular prism with cubes to determine the volume. Each prism's unit is measured in cm (not to scale).

AnswersEx. $36 \frac{2}{3}$ cm

1. _____

2. _____

3. _____

4. _____

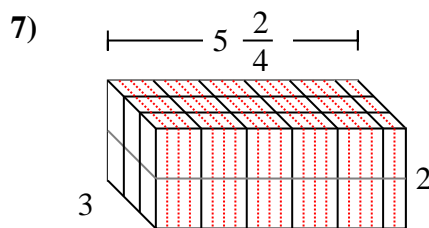
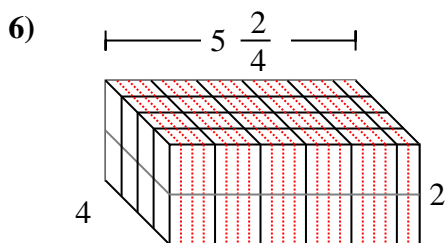
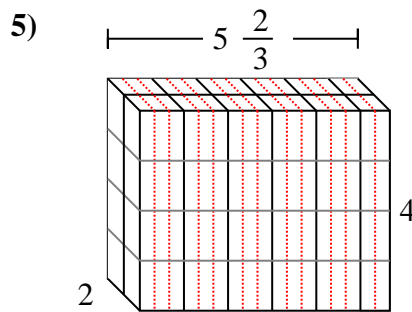
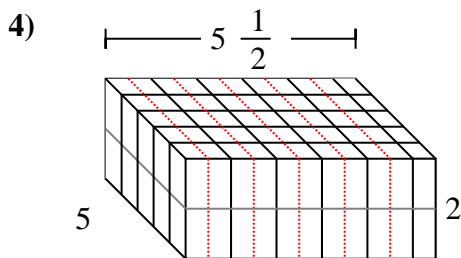
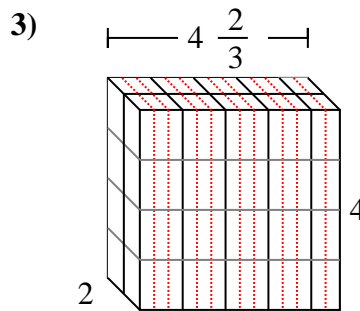
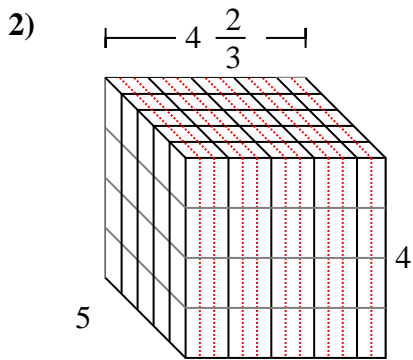
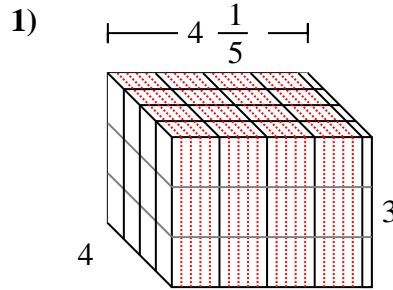
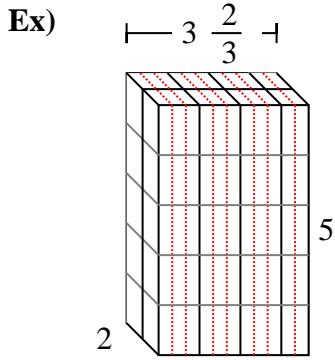
5. _____

6. _____

7. _____



Fill each rectangular prism with cubes to determine the volume. Each prism's unit is measured in cm (not to scale).

**Answers**Ex. $36 \frac{2}{3}$ cm1. $50 \frac{2}{5}$ cm2. $93 \frac{1}{3}$ cm3. $37 \frac{1}{3}$ cm4. 55 cm5. $45 \frac{1}{3}$ cm6. 44 cm7. 33 cm